



SPECIFICATION SHEET

Model #:	_____	Qty:	_____
Project #:	_____		
Consultant:	_____		

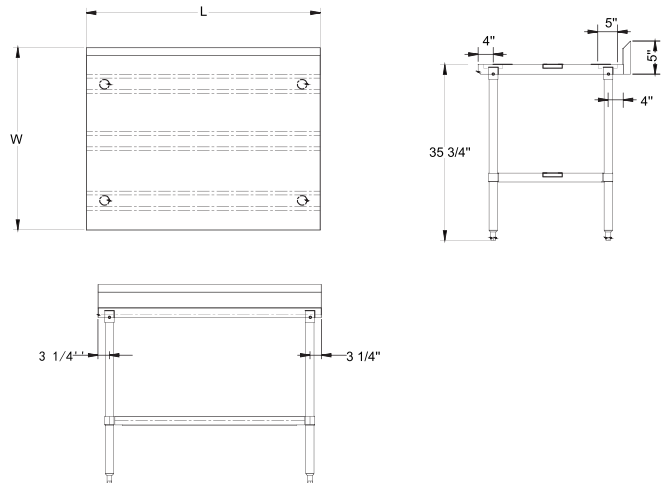
QUALITY FOOD SERVICE EQUIPMENT

PREMIUM WORK TABLES



DIMENSIONS

5" backsplash



MATERIAL

- ◆ 14GA 300 stainless steel top
- ◆ 18GA 300 stainless steel lower shelf
- ◆ Aluminum corner on lower shelf
- ◆ Stainless steel legs
- ◆ Stainless steel bullet feet

FEATURES

- ◆ Straight safety turn down on all sides
- ◆ Adjustable lower shelf
- ◆ Adjustable bullet feet

Model#	Length	Width
TS4-4836R5	48"	36"
TS4-6036R5	60"	36"
TS4-7236R5	72"	36"

(609) 642-8389 | sales@nbrequipment.com | www.nbrequipment.com